

OWNER'S MANUAL



**READ THE INSTRUCTIONS IN THIS MANUAL
CAREFULLY BEFORE USING THIS FIREARM!**

Owner's Manual STEYR SCOUT RIFLE

This manual and the warnings contained herein must be read and understood before using your rifle. This manual familiarizes the user with the function and the handling of the rifle and warns of the potential dangers of misuse that may lead to accidents or injuries. This manual should always accompany this firearm and be transferred with it upon change of ownership, or when the firearm is loaned or presented to another person. THIS MANUAL IS NOT A SUBSTITUTE FOR A HUNTING SAFETY COURSE OR A FIREARMS SAFETY COURSE!



Steyr Mannlicher Aktiengesellschaft & Co KG
P. O. Box 1000, A-4400 Steyr, Austria

WARNING! TREAT EVERY FIREARM AS IF IT WERE LOADED AT ALL TIMES! REMEMBER, NO SAFETY IS FOOLPROOF! FIREARMS SAFETY IS THE RESPONSIBILITY OF THE PERSON WHO HANDLES FIREARMS AND AMMUNITION!

Dear Customer:

Your Steyr "Scout" Rifle is the culmination of the innovative features of the Steyr SBS "Safe Bolt" 96 rifle and the features for the ideal all purpose rifle outlined as desirable by the renowned rifleman and author, Jeff Cooper. Your rifle is manufactured by Steyr Mannlicher AG & Co KG to the highest standards. It has been produced to meet state-of-the-art requirements for today's sports. Because the underlying action is that of the Steyr SBS "Safe Bolt" 96 rifle, you can expect unsurpassed performance, superb quality, optimum user comfort, and long service life under a variety of environmental conditions.

Steyr Mannlicher AG & Co KG has been certified according to ISO 9001 since 1994. As a result of our thorough quality assurance system, you can be certain that you have purchased an exclusive product of truly outstanding quality.

Please read this manual and the warnings contained herein carefully to familiarize yourself with the function and operation of this firearm.



IMPORTANT NOTE:

This manual is for use with Steyr "Scout" Rifle. Although the underlying mechanism and action is that of the Steyr SBS "Safe Bolt" 96 rifle, there are design modifications which vary the overall appearances and uses. Read this manual **thoroughly and completely familiarize** yourself with your Steyr "Scout" rifle to get the maximum enjoyment and safety from your new rifle.

Technical specifications of this rifle may change without notice.

TABLE OF CONTENTS

Section No.		Page No.
	Essential precautions for the handling of firearms	5
	Before shooting your new Steyr "Scout" rifle	9
	Bore obstructions WARNING	9
	Illustration of major components.	11
1	The Safety and its operation	12
2	Double Lock/Safe	13
3	The Trigger	14
4	Loading / Inserting the magazine	14
5	Unloading / Removing the magazine	16
6	Loading the rifle	16
7	Unloading the rifle	16
8	Removing the bolt	17
9	Reinserting the bolt into the receiver	18
10	Uncocking the rifle	18
11	Disassembling / Reassembling the rifle	18
12	Disassembling the bolt	19
13	Reassembling the bolt	20
14	Using and adjusting the integral open sights	20
15	Mounting of optics	21
16	Using the integral bipod	22
17	Integral accessory mounting rail	22
18	Installation of the optional 10 round magazine	23
	adapter kit (HC-KIT)	
19	Attaching the Ching Sling	24
20	Opening the accessory compartment.....	24
21	Adjusting length of pull	25
22	Cleaning and maintenance	25
23	Cleaning precaution	26
24	Service	27
25	Service Agreement	27
26	Technical specifications	28
27	Parts lists / diagrams	29

ESSENTIAL PRECAUTIONS FOR THE HANDLING OF FIREARMS

THE WARNINGS AND ADVICE GIVEN IN THIS MANUAL ARE FOR YOUR PROTECTION AS WELL AS THE SAFETY OF OTHERS. DISREGARDING INFORMATION IN THIS MANUAL MAY RESULT IN SERIOUS INJURY OR DEATH.

Before you attempt to use or shoot your new Steyr SBS 96 rifle, learn and understand the following basic rules. Your safety and the safety of others depends upon your safe and careful handling of your new rifle.

Any firearm must be considered a potentially dangerous object requiring particular caution in storage, handling and use.

Make sure to **ALWAYS** handle and treat every rifle as if it were loaded.

NEVER place your finger on the trigger unless you intend to fire a shot. **ALWAYS** load your rifle so as to avoid any danger for bystanders. Adequate rifle safety can only be ensured with the rifle in clean and mechanically sound condition.

Inexpert handling as well as improper or negligent care may impair function and safety of the rifle. Unauthorized alterations, modifications or adjustments to the rifle as well as damage to the rifle through carelessness will void any claims under the manufacturer's service agreement.

Any work on the rifle must be done by qualified and authorized gunsmiths, armorers, or factory authorized service facilities.

Rifles must **ALWAYS** be stored out of the reach of persons not familiar with firearms, particularly children. **NEVER** store ammunition with a firearm.

In order to avoid damage during transport, the rifle should **ALWAYS** be transported in the original packing carton or in a suitable commercially available transport case.

ALWAYS keep the muzzle of your rifle pointed in a safe direction. **NEVER** point any firearm at anything you do not intend to shoot. Stay alert and be aware of all persons and property within shooting range.

NEVER give a loaded firearm to another person. **ALWAYS** open the action and inspect the chamber for ammunition, and unload any firearm before giving the firearm to another person for inspection. **ALWAYS** ensure that the safety is in “Safe” position (the gray lock and white dot are visible). **ALWAYS** unload firearms after use to prevent the occurrence of an accidental discharge.

KEEP the barrel, chamber and bore free of all obstructions. Firing a firearm with a barrel, chamber or bore obstruction can cause damage to the firearm and injury to the shooter or other persons nearby, and could result in death. Keep the barrel, chamber and bore free and clean of mud, snow, cleaning patches, or any other materials which may clog the barrel.

NEVER drink alcohol or take medications while handling a firearm. Responsible firearm handling requires a state of mental alertness.

ALWAYS seek a doctor’s advice if you are taking a medication to be sure you are fit to shoot and handle a firearm safely.

DO NOT totally and blindly rely on the mechanical safety devices on any firearm. The mechanical safety’s function is to block sear engagement to prevent accidental discharge of the firearm. However, should this device fail, it is possible to fire a rifle even when the safety is in the “Safe” position (the gray lock and white dot are visible). **NEVER** place your finger on the trigger when you do not intend to shoot. **NEVER** place your finger on the trigger or test any safety device when the muzzle of a rifle is pointed in an unsafe direction.

NEVER transport a loaded rifle.

ALWAYS wear and encourage others to wear protective shooting glasses. Flying particles could damage eyes and cause blindness. Protective shooting glasses could prevent such injury.

ALWAYS wear and encourage others to wear ear protection when shooting, especially on a range. Without ear protection, the noise of even one shot from a firearm, or other firearms close to you, could

leave a ringing in your ears for some time after firing while the cumulative long term effect could be permanent hearing loss.

ALWAYS use only clean, dry, original high quality commercially manufactured ammunition in good condition loaded in accordance with factory standards. Do not use ammunition that has been exposed to prolonged periods of dampness or moisture. Gun and ammunition manufacturers design their products within exacting engineering safety limits. Handloads and remanufactured ammunition are sometimes outside those limits and can be so unsafe as to blow up or otherwise damage a firearm, and cause injury, death or damage to property. If there are any questions concerning the proper caliber for your Steyr "Scout", call or contact GSI, Inc., 108 Morrow Avenue, P.O. Box 129, Trussville, Alabama 35173, Tel. (205)-655-8299. STEYR MANNLICHER AG & Co KG and GSI, INC. specifically disclaim any responsibility for damage or injury whatsoever occurring in connection with, or as a result of, the use of faulty, or non-standard, or "remanufactured" or handloaded (reloaded) ammunition.

DO NOT put your finger on the trigger while unloading, loading, or any other time before you are ready to shoot. **DO NOT** dry fire on an empty chamber - the chamber may not be empty even if you think it is not loaded! **TREAT EVERY FIREARM AS IF IT WERE LOADED!**

KNOW your target and backdrop area. **BE SURE** it is safe to fire at your target. **THINK!** What will you **HIT** if you **MISS** your intended target? **KNOW** the potential range of your rifle and ammunition, and consider this danger for persons and property within that range. **NEVER** fire a rifle in the direction of people, non-game animals or property that could be injured or destroyed.

MAKE SURE your firearm is unloaded before crossing fences, climbing trees, jumping over ditches, or passing through or across other obstacles. **DO NOT** place or lean a loaded firearm on or against a tree, fence, automobile, or similar objects.

FAILURE TO FIRE: If your rifle fails to fire when you pull the trigger, keep the rifle pointed toward the target or a safe open area and wait for at least two minutes. If a hangfire (slow ignition) has occurred, the round will probably fire within two minutes. If the round does not fire, open the breech of the rifle and remove the cartridge. If the primer of the cartridge is indented, discard the cartridge in a safe manner. If the primer of the cartridge is not indented, or is lightly indented, or off-center, have the rifle examined by a competent gunsmith before the rifle is fired again.

USE caution to avoid dropping a loaded gun. Dropping the rifle may cause an accidental discharge even if the safety is in the “Safe” position (the gray lock and white dot are visible). Be extremely careful while hunting or during any other activity to avoid dropping any firearm. An accidental discharge could result in serious injury, or death.

TAKE EVERY PRECAUTION to prevent unsafe gun handling practices around yourself and others. If you witness any unsafe gun handling practices by other shooters, politely suggest safe procedures for future use.

NEVER DISCHARGE a firearm near flammable material. Flame and sparks erupt from the firearm when discharged. They could start a fire or cause flammable liquids and gases to explode.

NEVER SHOOT at a hard surface such as a rock, or a liquid surface such as water. A bullet may ricochet and travel in any direction to strike you, or an object you cannot see, causing injury, death or damage to property.

NEVER WALK, CLIMB OR FOLLOW a companion with your rifle loaded and a cartridge chambered. When walking, climbing or following a companion, **MAKE SURE** the chamber of the rifle is empty, and the safety is in the “Safe” position (the gray lock and white dot are visible).

ALWAYS instruct children to respect firearms. If your children shoot, teach them or have them trained by a qualified instructor to treat and use firearms properly, and always supervise them closely.

NEVER abuse your rifle by using it for any purpose other than shooting.

NEVER fire your firearm near an animal unless it is trained to accept the noise. An animal’s startled reaction could injure it or cause an accident.

READ, UNDERSTAND, AND PRACTICE all safety procedures and warnings in this manual. **READ, UNDERSTAND AND PRACTICE** all safety procedures and warnings on commercial ammunition cartons and containers. It is **YOUR RESPONSIBILITY** to collect, understand and practice the most up-to-date safe handling procedures for your STEYR “Scout” rifle. **NEITHER STEYR MANNLICHER AG & Co KG nor GSI, INC.** are responsible for injury, death or damage to property resulting from either intentional or accidental discharge of this firearm, or

from its function when used for purposes or subjected to treatment for which it was not designed.

KEEP this instruction manual on hand for future reference. Please include this manual with the firearm in the event you lend, give or sell this firearm to any other person.

BEFORE SHOOTING YOUR NEW STEYR “SCOUT” RIFLE

Usually, your Steyr franchised dealer will furnish your rifle in completely assembled condition. You need only clean the barrel bore of oil and wipe the bore dry before shooting (see also Section 23). If the rifle is not assembled, the bolt must be inserted into the receiver as described in Section 9.

BORE OBSTRUCTIONS WARNING!

ANY OBSTRUCTION IN THE BORE OF THE RIFLE MAY RESULT IN DAMAGE TO THE RIFLE OR INJURY OR DEATH TO THE SHOOTER AND OR OTHER PERSONS NEARBY. BEFORE LOADING THE RIFLE, MAKE CERTAIN THE BORE IS CLEAR AND UNOBSTRUCTED.

If you suspect the rifle may have a bore obstruction resulting from excess oil, grease, packing material, or cosmoline, or from condensation or rain or snow in the barrel, or from any other source whatsoever, inspect the bore to be sure it is clear and unobstructed.

WHENEVER YOU INSPECT THE BORE, MAKE CERTAIN THE RIFLE IS NOT LOADED, AND THAT THE CHAMBER AND MAGAZINE ARE EMPTY! THE BORE MAY BE INSPECTED BY REMOVING THE BOLT AS DESCRIBED ELSEWHERE IN THIS MANUAL AND VISUALLY INSPECTING THE BARREL FROM THE RECEIVER END, NOT THE MUZZLE! REMEMBER, NEVER LOOK DOWN THE MUZZLE OF THE RIFLE!

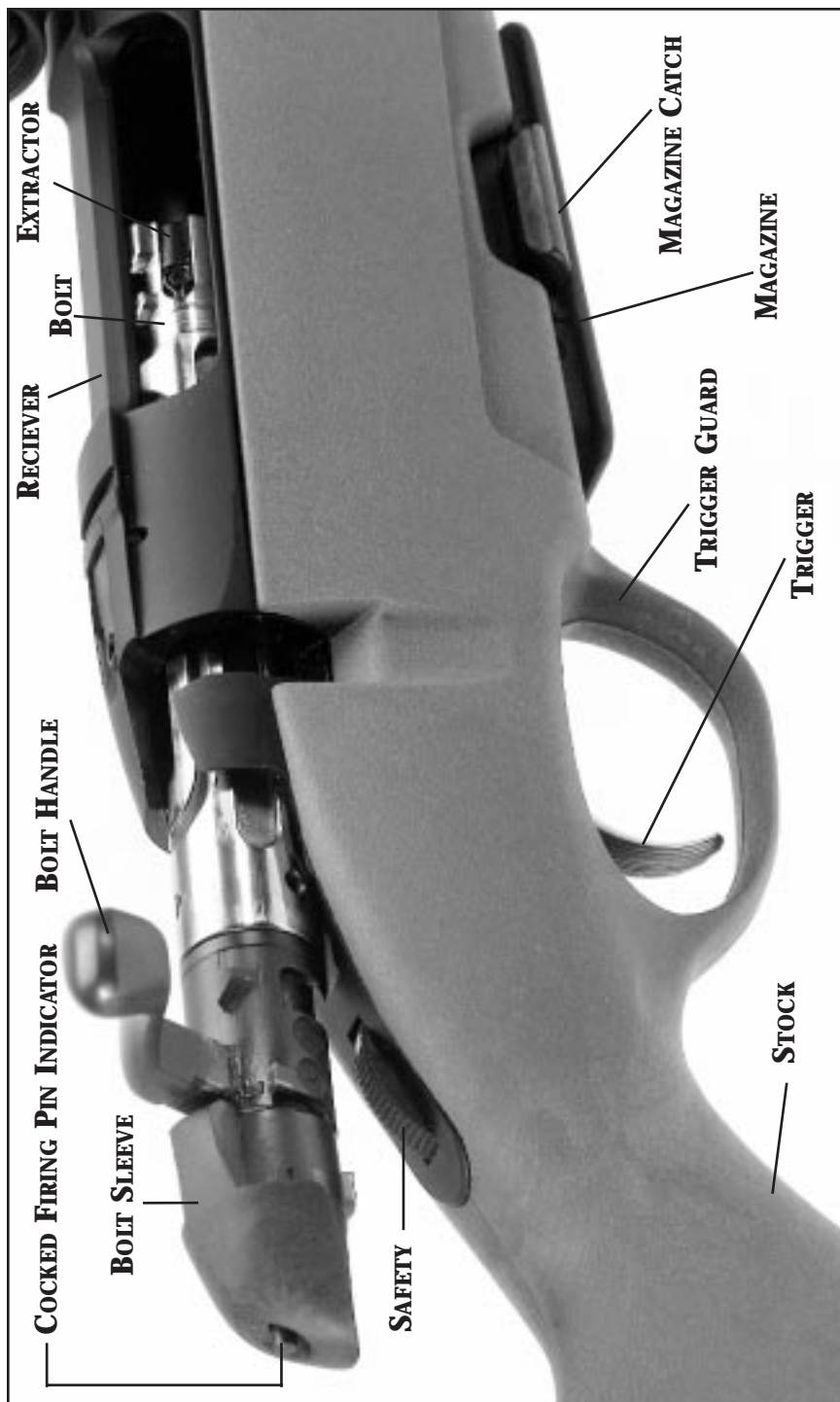
Also, remember that a lodged bullet is a common form of bore obstruction. Bullets may become lodged in the bore if (assuming the

trigger has been pulled with a live cartridge in the chamber) the cartridge contains no powder, or the powder fails to ignite, and only the primer charge ignites, resulting in insufficient force to propel the bullet out of the bore. Whenever an obstruction occurs, keep the rifle pointing in a safe direction and proceed as follows:

- Any cartridges in the magazine should be removed.
- Insert a proper size cleaning rod (without a tip or brush) into the bore from the muzzle and remove the bullet. If the bullet does not readily dislodge, it may be necessary to lightly tap the handle end of the cleaning rod. Do not attempt to remove a lodged bullet using a blank cartridge, or a cartridge from which the bullet has been removed, or by any other means other than the use of a cleaning rod. Be certain all loose powder has been removed from the bore and action before inserting the rod. If you are unable to remove the obstruction, take the rifle to the nearest repair facility, or call GSI Inc., 108 Morrow Avenue, P.O. Box 129, Trussville, Alabama 35173, Tel. (205) 655-8299.
- After removing the obstruction, reinspect the bore to be certain it is free of powder particles or other debris. Clean the mechanism of unburned powder grains.

REMEMBER! ALWAYS CHECK THE BORE FOR AN OBSTRUCTION IF YOU EXPERIENCE DIFFICULTY IN CHAMBERING A CARTRIDGE, EXPERIENCE A FAILURE TO EXTRACT, HAVE A MISFIRE, OR THE RIFLE DOES NOT MAKE A NORMAL LOUD REPORT ON FIRING. A MISFIRE OR UNUSUAL REPORT IS ALWAYS A SIGNAL TO CEASE FIRING. FOLLOWING A MISFIRE OR AN UNUSUAL REPORT, KEEP THE RIFLE POINTED IN A SAFE DIRECTION AND WAIT TWO MINUTES BEFORE UNLOADING THE CHAMBER AND EXAMINING THE BORE OF THE FIREARM.

WARNING! IF A CARTRIDGE IS LODGED IN THE CHAMBER, DO NOT ATTEMPT TO REMOVE A LODGED CARTRIDGE BY USING A CLEANING ROD. TAKE THE RIFLE TO THE NEAREST REPAIR FACILITY, OR CALL GSI, Inc., 108 Morrow Avenue, P.O. Box 129, Trussville, Alabama 35173, Tel. (205) 655-8299.

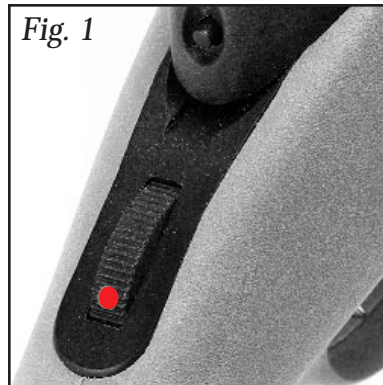


1 THE SAFETY AND ITS OPERATION

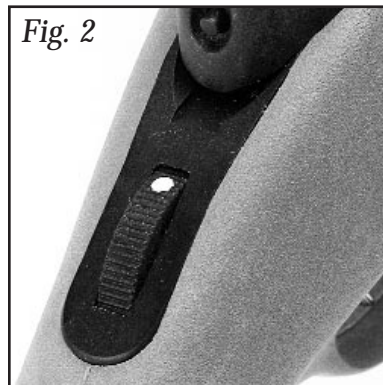
The Steyr "Scout" rifle has a safety located on the tang of the receiver. The safety is referred to as the roller tang safety. The safety can only be operated when the rifle is cocked or the bolt handle is open!

The safety has 3 positions:

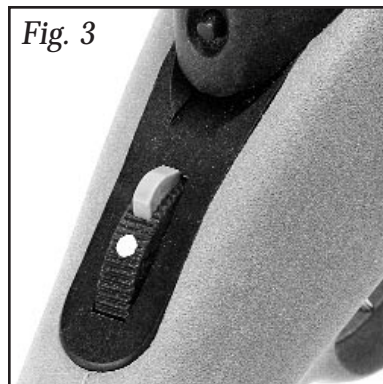
Position 1 - Firing Position ("Fire") (Fig.1) To release the roller tang safety, the roller tang safety must be rotated fully forward until the red dot is visible. The rifle is ready for firing, and if the rifle is loaded, the rifle will fire when the trigger is pulled.



Position 2 - Loading Position ("Loading") (Fig.2): To move to the "Loading" position rotate the roller tang safety backward until a noticeable click can be felt, the safety is now in the "Loading" position. In this position, only the white dot on the safety will be visible! In this position, any unintentional firing of a shot should be prevented and the rifle can thus be loaded and unloaded safely.



Position 3 - Safe ("Safe") (Fig. 3) To put the rifle on "Safe", the roller tang safety on the receiver tang must be rotated backward until the gray lock engages. The gray lock and the white dot on the safety are visible and the gray lock can also be felt as a protrusion above the roller tang safety. In this position, the bolt cannot be opened.



WARNING! SAFETIES ARE MECHANICAL DEVICES THAT MAY FAIL OR MALFUNCTION LIKE ANY OTHER MECHANICAL DEVICE! ALWAYS HANDLE THE RIFLE CAREFULLY AND DO NOT PERMIT THE RIFLE TO POINT IN AN UNSAFE DIRECTION! ALWAYS TREAT THE RIFLE AS IF IT WERE LOADED AND READY TO FIRE! ALWAYS OBSERVE SAFETY RULES WHEN HANDLING THE RIFLE!

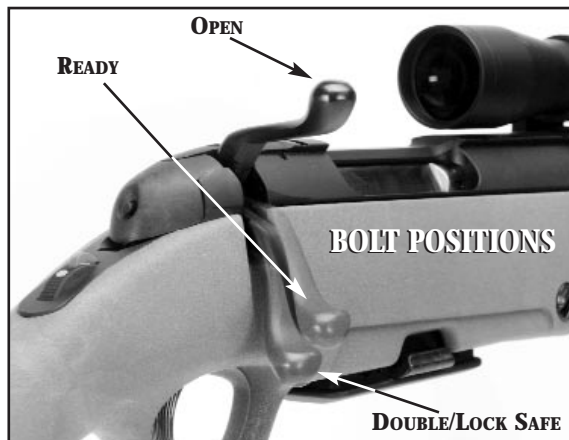
THE SAFETY SHOULD ALWAYS BE IN THE “SAFE” POSITION (THE GRAY LOCK AND WHITE DOT ARE VISIBLE) POSITION EXCEPT WHEN THE SHOOTER IS ACTUALLY FIRING THE GUN. THE SAFETY SHOULD BE MOVED TO THE “SAFE” POSITION (THE GRAY LOCK AND WHITE DOT ARE VISIBLE). WHENEVER THE SHOOTER CEASES FIRING, EVEN TEMPORARILY.

KEEP THE MUZZLE OF THE RIFLE POINTED IN A SAFE DIRECTION AT ALL TIMES!

2 **DOUBLE LOCK/SAFE**

For added safety, when the roller tang safety is rotated to the “Safe” position (the gray lock and white dot are visible) the bolt handle can be pushed down until it locks firmly against the rifle stock. In this position, the bolt handle and firing pin are locked. When the roller tang safety is moved into the “Loading” position (only the white dot will be visible), or “Firing” position (only the red dot is visible), the bolt will automatically move up to the ready position.

NOTE: WHEN THE BOLT IS **NOT** PUSHED INTO THE DOUBLE LOCK/SAFE POSITION, THE BOLT DOES **NOT** FIT FLUSH AGAINST THE RIFLE STOCK.



3 THE TRIGGER

The Steyr "Scout" Rifle is equipped with a single, adjustable trigger. The trigger is adjusted at the factory prior to shipment, **and no further adjustment is recommended.**

Factory trigger weight specification is 3.50 to 4.00 lbs.

4 LOADING / INSERTING THE MAGAZINE

Remove the magazine from the rifle by pressing the two magazine catches on both sides of the magazine using the thumb and index finger of one hand and remove the magazine (Fig. 4).



Place cartridges on top of the magazine and push in by thumb pressure (Fig. 5).

Magazine capacity: 5 cartridges in standard magazine, 10 cartridges in the optional high capacity magazine.



Inserting the Magazine in the Rifle: Move roller tang safety of the rifle into the "Loading" position (only the white dot will be visible). Insert the magazine into the rifle (Fig. 6) and press it in until it locks with an audible click. The inserted magazine must be flush with the stock. When the bolt is operated, a cartridge will be chambered from the magazine.



NOTE: Another position, "drop lock" (Fig. 7) is available for use with the magazine. The magazine may be inserted until the first detents on the magazine are engaged. In this position, the magazine will protrude from the stock by approximately 1/4" (5 mm). When the bolt is operated,

cartridges WILL NOT feed from the magazine. The rifle may still be loaded singly by placing cartridges directly into the chamber. To operate the magazine in its normal manner, simply push the magazine further into the stock until the lower detents engage, and the magazine is flush with the stock.



WARNING! ANY TIME THE MAGAZINE IS IN THE RIFLE IN ANY POSITION, THE USER MUST EXERCISE THE SAME DEGREE OF CARE AS IF THE RIFLE IS LOADED AND READY TO FIRE. WHEN HUNTING DANGEROUS GAME OR FOR LAW ENFORCEMENT APPLICATION THE MAGAZINE SHOULD ALWAYS BE FULLY INSERTED SO THAT A CARTRIDGE WILL BE CHAMBERED WHEN THE BOLT IS OPERATED.

DANGER - AMMUNITION WARNING!
SERIOUS INJURY OR DEATH OR PROPERTY DAMAGE MAY RESULT FROM ANY CONDITION WHICH CONTRIBUTES TO THE GENERATION OF EXCESSIVE PRESSURE, OR THE UNCONTROLLED RELEASE OF GAS, WITHIN A FIREARM. THE FOREGOING ADVERSE CONDITIONS CAN BE CAUSED BY BORE OR CHAMBER OBSTRUCTIONS, PROPELLANT POWDER OVERLOADS, OR BY DEFECTIVE, INCORRECT, OR IMPROPERLY LOADED AND ASSEMBLED CARTRIDGE COMPONENTS. IT IS EXTREMELY DANGEROUS TO USE A CARTRIDGE WHOSE PRESSURE IS GREATER THAN THAT DEVELOPED BY CARTRIDGES LOADED TO FACTORY STANDARDS. EVEN THE STRONGEST FIREARM CAN BE BLOWN UP AS A RESULT OF EXCESSIVE PRESSURE.

5**UNLOADING / REMOVING THE MAGAZINE**

As previously described, to remove the magazine, press the two magazine catches on both sides of the magazine using the thumb and index finger of one hand and remove the magazine.

To unload the magazine, slide cartridges forward with your thumb only until all are released from the magazine.

6**LOADING THE RIFLE**

Move the roller tang safety of the rifle into "Loading" position (only the white dot will be visible). Turn bolt handle upward to unlock the bolt. Pull bolt all the way rearward with the bolt handle. When the bolt is pushed forward, a cartridge will be fed into the chamber of the barrel. The bolt is locked by turning the bolt handle to the right (downward) to the ready position.

Move roller tang safety into the "Safe" position (the gray lock and white dot are visible). Now the rifle is loaded, cocked and on safe. Release the safety only when you intend to fire the rifle. If you decide not to fire, immediately put the safety in the "Safe" position (the gray lock and white dot are visible). If the rifle must be reloaded after firing a shot, the bolt handle must be opened. By lifting the bolt and pulling the bolt fully rearward, the spent cartridge will be extracted and ejected. Moving the bolt forward will feed a new cartridge into the chamber. Relock the bolt by turning the bolt handle right (downward) to the ready position. Move roller tang safety back to position "Safe" position (the gray lock and white dot are visible). If the safety has been put on any position but "Safe" and no shot has been fired, the rifle must be immediately put on "Safe" position (the gray lock and white dot are visible) again.

7**UNLOADING THE RIFLE**

Move roller tang safety to "Loading" position (only white dot is visible), and remove magazine. By opening the bolt handle and retracting the bolt, the cartridge in the chamber will be extracted and ejected.

WHEN YOU ARE CERTAIN THE CHAMBER IS EMPTY AND THE MAGAZINE IS REMOVED, CLOSE THE BOLT AND PLACE THE ROLLER TANG SAFETY IN THE “SAFE” POSITION (THE GRAY LOCK AND WHITE DOT ARE VISIBLE).

WARNING! REMOVING THE MAGAZINE FROM THE RIFLE DOES NOT PREVENT THE RIFLE FROM BEING FIRED! IF A CARTRIDGE IS IN THE CHAMBER OF THE RIFLE AND THE ROLLER TANG SAFETY IS IN THE “FIRE” POSITION (ONLY THE RED DOT IS VISIBLE) THE RIFLE WILL FIRE IF THE TRIGGER IS PULLED! TO MAKE ABSOLUTELY CERTAIN THE RIFLE IS UNLOADED, REMOVE THE MAGAZINE AND THEN REMOVE ANY CARTRIDGE IN THE CHAMBER. REMEMBER, UNLESS THE MAGAZINE IS REMOVED AND THE CHAMBER IS EMPTY, THE RIFLE IS NOT UNLOADED!

8

REMOVING THE BOLT

Removal of the bolt is necessary to properly clean the bore of the barrel.

BEFORE REMOVING THE BOLT AND BEFORE ATTEMPTING TO CLEAN THE RIFLE, MAKE CERTAIN THAT THE RIFLE IS UNLOADED AND POINTING IN A SAFE DIRECTION!

1. With your right hand, turn bolt handle upward to the unlock position (“Open” position).
2. Rotate roller tang safety into the “Safe” position (gray lock and white dot are visible).
3. Hold bolt by bolt handle, pull rearward, and remove it from the receiver.

9 REINSERTING THE BOLT INTO THE RECEIVER

First, make certain that the magazine has been removed and that the rifle is unloaded! When reinserting the bolt into the receiver, the roller tang safety must be in the “Safe” position (the gray lock and white dot are visible). Hold the bolt by the bolt handle and insert it into the receiver. When inserting the bolt, rotate the bolt so that the bolt handle slides into the slot in the receiver. Push bolt forward to close.

10 UNCOCKING THE RIFLE

Make certain that the rifle is unloaded and the safety is in the “Fire” position (red dot only is visible). The bolt handle is in the “Open” position.

CAUTION: DO NOT ATTEMPT TO UNCOCK A LOADED RIFLE!

When you are certain that the rifle is unloaded, close the bolt while holding trigger to the rear. The indicator pin at the rear of the bolt sleeve will disappear indicating that the rifle is uncocked.

WARNING! BEFORE UNCOCKING THE RIFLE, YOU MUST MAKE CERTAIN THAT THE RIFLE IS UNLOADED! THE MAGAZINE MUST BE REMOVED AND ANY CARTRIDGE IN THE CHAMBER MUST BE REMOVED BEFORE THE RIFLE IS UNCOCKED! IF A CARTRIDGE REMAINS IN THE MAGAZINE OR CHAMBER WHEN YOU CLOSE THE BOLT AND PULL THE TRIGGER, THE RIFLE WILL FIRE!

11 DISASSEMBLING / REASSEMBLING THE RIFLE

Complete disassembly of the rifle is not normally required. The receiver may be removed from the stock by removing the two action screws located on the bottom of the receiver. When the receiver is replaced into the stock, these action screws must be tightened to 80 in. lbs. (9Nm) to ensure accuracy and prevent damage or injury. It is advisable to place a drop or two of Loctite 242e on the screws.

12 DISASSEMBLING THE BOLT

Under normal circumstances the bolt need not be disassembled. As a rule, occasional inspection by the gunsmith of your franchised Steyr Mannlicher Dealer should be sufficient to ensure adequate maintenance. If you wish, you may ask an expert gunsmith to instruct you in the disassembly and reassembly of the bolt. However, special circumstances, where no gunsmith may be available, may require that the bolt be disassembled, cleaned and lubricated.

Disassembly:

Grip the bolt on its unblued, polished portion with your left hand. Push in the catch lever (Fig. 8) with your right thumb and simultaneously rotate the bolt sleeve clockwise (arrow shows direction of rotation) until it unlocks with an audible click (Fig. 9). Take off the bolt sleeve and extract the firing pin assembly. Now all parts can be cleaned and lubricated as required. Any further disassembly should only be done by adequately trained and skilled personnel (gunsmith).

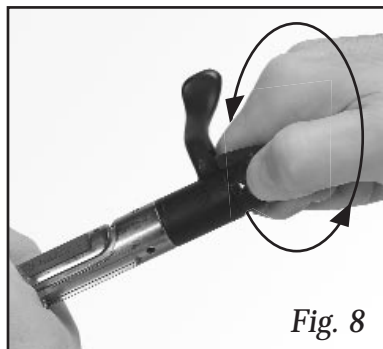


Fig. 8



Fig. 9

CAUTION:
WHEN DISASSEMBLING, NEVER ROTATE THE BOLT SLEEVE IN A COUNTERCLOCKWISE DIRECTION. IF THE BOLT SLEEVE IS ROTATED IN A COUNTERCLOCKWISE DIRECTION, THE BOLT CANNOT BE REINSERTED INTO THE RECEIVER.

13 REASSEMBLING THE BOLT

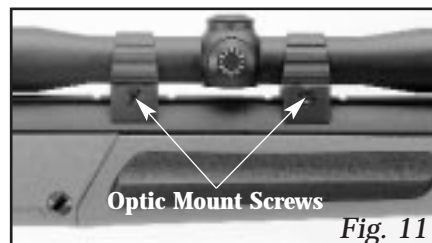
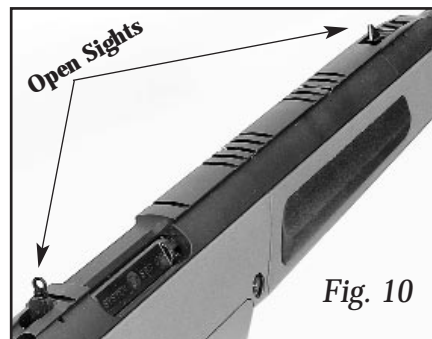
Grip the bolt on its unblued, polished portion with your left hand. Insert the firing pin assembly into the bolt with the cocking piece aligned directly opposite to the bolt handle. Using your right hand, slide the bolt sleeve on the cocking piece until it stops while simultaneously pressing the catch lever with your thumb; then release the catch lever and then rotate the bolt sleeve counterclockwise until it locks into position. Make sure not to turn the bolt sleeve beyond the line of alignment between its cover part and the bolt handle.

14 USING AND ADJUSTING THE INTEGRAL OPEN SIGHTS

For "Jeff Cooper Scout" rifles furnished with optics, the intermediate eye relief "Scout" optic and mounts must be removed from the rifle to use the integral open sights (Fig. 10). To remove the mounted optic, loosen the screws located on the optic mount rings (Fig. 11), and remove the optic and mounts.

Front sight operation and adjustment for windage:

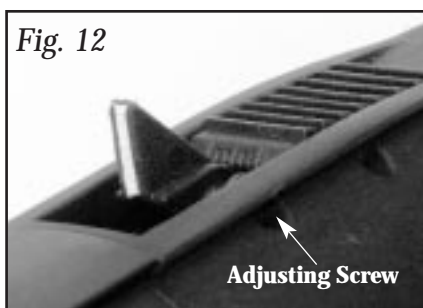
To elevate the front sight post, move the front sight release slide forward and the front sight post will move up and lock into position (Fig. 12).



To adjust for windage, the adjusting screw can be turned to move the sight to the left or right .

Counter clockwise = point of bullet impact shifts to the right.

Clockwise = point of bullet impact shifts to the left.



To lower the front sight when not in use, use thumb pressure to press the front sight post downward until an audible click is heard and the front sight post remains in the closed position.

Rear sight operation and adjustment for elevation:

Use a thumbnail or convenient tool to lift the ghost ring rear sight into the upright and locked position.

To adjust for elevation, loosen the screw immediately behind the rear sight blade and move the ghost ring up or down. The following movement of the ghost ring aperture affects point of impact as noted below.

Upwards = point of bullet impact shifts up.

Downwards = point of bullet impact shifts down.

To lower the rear ghost ring sight into its closed position, use thumb pressure to depress the sight until an audible click is heard and the sight remains in the closed position.

15 **MOUNTING OF OPTICS:**

The Steyr "Scout" rifle in the "Jeff Cooper" package configuration includes an optic factory mounted and zeroed at 100 meters. For optic instructions, refer to the optic manual provided with your rifle. The Steyr "Scout" rifle has an integral Picatinny-Weaver style mounting rail on the receiver of the rifle for mounting other optics of the user's choice.

16 USING THE INTEGRAL BIPOD:

To extend the integral bipod: With the "Scout" rifle unloaded and pointed in a safe direction and with the safety on "Safe" (the gray lock and white dot are visible), depress the bipod arm release on the bottom of the stock (Fig. 13) and swing the bipod arms downward and forward until an audible click is heard and the bipod arms are locked in the extended position (Fig. 14). In this position, the bipod will allow for ease of use and user comfort on uneven terrain by allowing a 15 degree axial rotation from vertical to either side (30 degree total arc).

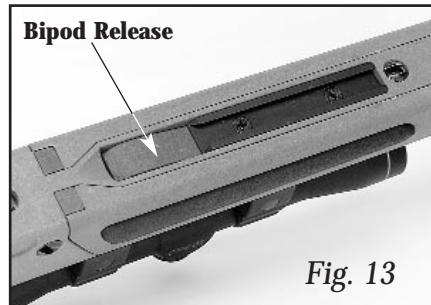


Fig. 13



Fig. 14

To retract the bipod: With the "Scout" rifle pointed in a safe direction and the safety on "Safe" (the gray lock and white dot are visible), align the bipod with the stock. Then firmly pull upwards and back on the arms of the bipod, align the tabs of the ends of the bipod arms with the stock and lock them in the closed position.

17 INTEGRAL ACCESSORY MOUNTING RAIL

WARNING! THE ATTACHMENT OF ANY ACCESSORY OR DEVICE TO THE STEYR "SCOUT" RIFLE SHOULD BE IN STRICT ACCORDANCE WITH THE THE MANUFACTURERS' INSTRUCTIONS AND REVIEWED OR PERFORMED BY A QUALIFIED GUNSMITH.

The Steyr "Scout" rifle has an accessory mounting rail located on the forward underside of the stock (Fig. 15). Other accessories, such as an auxiliary bipod, flashlight, hand stop, aiming device, etc. may be added by attaching to this integral rail. Any attachment devices necessary for mounting your optional accessories are not included.

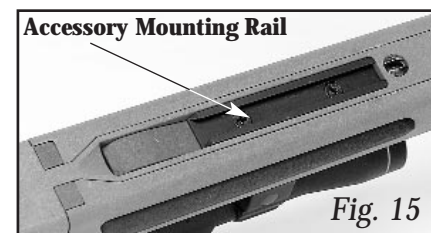


Fig. 15

18

**INSTALLATION OF
THE OPTIONAL 10
ROUND MAGAZINE
ADAPTER KIT
(HC-KIT)**

The optional 10 round magazine adapter kit (HC-KIT) is available as an accessory for your Steyr "Scout" rifle (Fig. 16).



WARNING: BEFORE MOUNTING THE OPTIONAL 10 ROUND MAGAZINE KIT (HC-KIT), MAKE SURE THAT THE RIFLE IS UNLOADED AND ON "SAFE" (THE GRAY LOCK AND WHITE DOT ARE VISIBLE)! THE 5 ROUND MAGAZINE AND ANY CARTRIDGE IN THE CHAMBER MUST BE REMOVED. BY OPENING THE BOLT HANDLE AND RETRACTING THE BOLT, ANY CARTRIDGE IN THE CHAMBER SHOULD BE EXTRACTED AND EJECTED. VISUALLY INSPECT THE CHAMBER TO MAKE SURE NO CARTRIDGES REMAIN.

1. Loosen and remove the two action screws on each end of the magazine well on the underside of the rifle stock.
2. The HC-KIT is provided with two new (longer) action screws and two short adapter screws. Screw the new (longer) action screws of the HC-KIT into the receiver and tighten with a torque wrench. (Torque specifications = 9 Nm = 80 in.lbs.). It is advisable to place a drop or two of Loctite 242e on the new (longer) action screws before tightening them to the torque specifications.
3. Place the HC-KIT adapter on the action screws by aligning the adapter kit holes with the two longer action screws. (The heads of the longer action screws are threaded to accept the adapter screws)
4. Place and tighten the two short adapter screws M 6X8 and snugly tighten.
5. Insert the 10 round magazine in the rifle.

19 ATTACHING THE CHING SLING

On the "Jeff Cooper Scout" rifle configuration a three position Ching Sling (with swivel loops) is provided. For proper installation and adjustment, please refer to the separate instruction sheet packed with the sling.

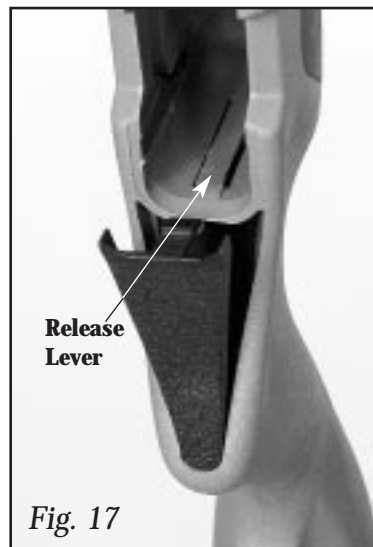
The Steyr "Scout" rifle is provided with five flush mounted sling attachment points.

Please consult a gunsmith or GSI, Inc. for compatibility of sling body (loop) to the flush mounted sling loop receptacle on the rifle stock.

WARNING! BEFORE ATTACHING THE SLING, MAKE SURE THE RIFLE IS UNLOADED, ON "SAFE" (THE GRAY LOCK AND WHITE DOT ARE VISIBLE), AND POINTED IN A SAFE DIRECTION.

20 OPENING THE ACCESSORY COMPARTMENT

An additional storage compartment for accessories is located in the hand grip portion of the Steyr "Scout" rifle stock. This compartment is opened by first making sure the rifle is unloaded, the safety is on "Safe" (the gray lock and white dot are visible), and the rifle is pointed in a safe direction. To access the accessory storage compartment, remove the spare magazine from the spare magazine well in the butt portion of the stock. Depress the accessory compartment release lever inside the front portion of the spare magazine well and release the accessory compartment cover and remove it (Fig. 17). The accessory compartment is now accessible for use.



21 ADJUSTING LENGTH OF PULL

WARNING: BEFORE ADJUSTING THE LENGTH OF PULL, MAKE CERTAIN THAT THE RIFLE IS UNLOADED!

The rifle is equipped with removable butt spacers allowing length of pull to be adjusted. To remove spacers use a 3/16 in. round punch to separate spacers from butt stock (Fig. 18). To reinstall spacers align spacers with butt stock and snap into place with hand.



22 CLEANING AND MAINTENANCE

WARNING: NEVER CLEAN A LOADED FIREARM! REMOVE AMMUNITION FROM THE CHAMBER AND MAGAZINE BEFORE PERFORMING ANY CLEANING PROCEDURES!

To clean the rifle, remove the bolt as described in Section 8, and push-pull a solvent soaked patch through the bore several times from the receiver end. Follow up by using a solvent-soaked brush to clean the bore, pulling and pushing the brush from the receiver end as many times as necessary. Do not clean from the muzzle end of the barrel. After the bore is visibly clean and free of powder and debris, dry the bore with clean patches and examine the bore. If necessary, repeat brushing the bore. Finish cleaning by wiping the bore with a dry patch. Never use steel brushes for cleaning the barrel. The recommended cleaning material is a silk noil or cotton wool which should be soaked with a special barrel oil or a high-quality gun oil for pre-cleaning or final

oiling. Special agents for removing copper deposits may be used as directed. Make sure to always clean the barrel from rear to front. Never draw a silk noil or cotton patch back through the barrel after it emerges from the muzzle. Rather, remove the noil or patch. Make sure to avoid even the slightest wear or damage to the muzzle crown. After cleaning, the barrel bore should be oiled lightly for storage and protection of the bore.

FIREARMS SHOULD NOT BE STORED LOADED OR COCKED!

23 CLEANING PRECAUTION

A bushing inserted in the barrel which encircles the bolt head may be dislodged by improper cleaning, including the use of oversized patches or oversized cleaning brushes. If the bushing is dislodged, the bolt cannot be inserted or locked. In such event, contact GSI, Inc., 108 Morrow Avenue, P.O. Box 129, Trussville, Alabama 35173, Tel. (205) 655-8299 or a qualified gunsmith.

Before firing your new Steyr "Scout" Rifle, any residual oil in the barrel should be removed with a final dry patch. Otherwise, the point of impact may shift.

All external metal surfaces should be treated lightly with a gun oil.

If required, Synthetic stock should be cleaned with mild soap and water.

Before cleaning, remove stock from receiver (see Section 11). Make sure stock is completely dry before reinstalling on receiver.

WARNING! BE CAREFUL WHEN USING LUBRICANTS! OIL AND GREASE OR OTHER LUBRICANTS MAY OBSTRUCT THE BORE AND CAUSE INJURY TO A SHOOTER OR OTHERS OR DAMAGE TO THE RIFLE. LUBRICANTS, IF SPRAYED ON AMMUNITION, MAY CAUSE HANGFIRES OR MISFIRES WHICH RESULT IN BULLETS LODGED IN THE RIFLE BORE. IF A RIFLE IS FIRED WITH A BULLET LODGED IN THE BORE, SERIOUS DAMAGE TO THE RIFLE OR PERSONAL INJURY OR DEATH COULD RESULT.

24 SERVICE

Prior to shipment from Steyr Mannlicher AG & Co KG, your Steyr "Scout" rifle has been subjected to thorough quality assurance inspections according to our internal quality control guidelines which comply with ISO 9001. If your rifle should require a replacement of parts or a repair, such replacement or repair work may only be done by an authorized and qualified gunsmith. Please contact one of our authorized Steyr Mannlicher dealers. In the United States, please contact GSI, Inc., 108 Morrow Avenue, P.O. Box 129, Trussville, Alabama 35173, Tel. (205) 655-8299.

WARNING: ONLY STEYR MANNLICHER ORIGINAL SPARE PARTS MAY BE USED FOR REPAIRS OR REPLACEMENT.

25 SERVICE AGREEMENT

See the enclosed Warranty Card for information concerning the one year Service Agreement provided by Steyr Mannlicher AG & Co KG.

TECHNICAL SPECIFICATIONS

Caliber:	.308 Win. (7.62 X 51mm NATO)
Overall length:	39.57" (1.01 m) with 2 butt stock spacers
Barrel Length:	19" (48.25 cm), cold hammer forged, fluted
Magazine Capacity:	5 rounds (optional 10 round)
Weight (approx.):	6.93 lbs. (3.15 kg) with "Scout" optic and mounts; 6.3 lbs. (rifle only). Weights indicated include 2 empty 5 round magazines
Trigger:	factory set at 3.5 lbs (1.6 kg), adjustable from 2.5 - 4.5 lbs. (1.2 - 2.0 kg). Adjustment should only be done by GSI, Inc.
Action:	Steyr SBS (Safe Bolt System), 70 degree "butter knife" bolt lift, dirt/ice grooves integral (bolt also has extra machining grooves to decrease overall weight)
Manual Safety:	rotary tang, three (3) position positive

"Jeff Cooper Scout" package includes the Steyr "Scout" rifle, a 2.5 power intermediate eye relief (IER) "Scout" optic, a three position leather Ching Sling with three swivel bodies, two - 5 round magazines, an owner's manual, and rigid transport case.

The STEYR SCOUT



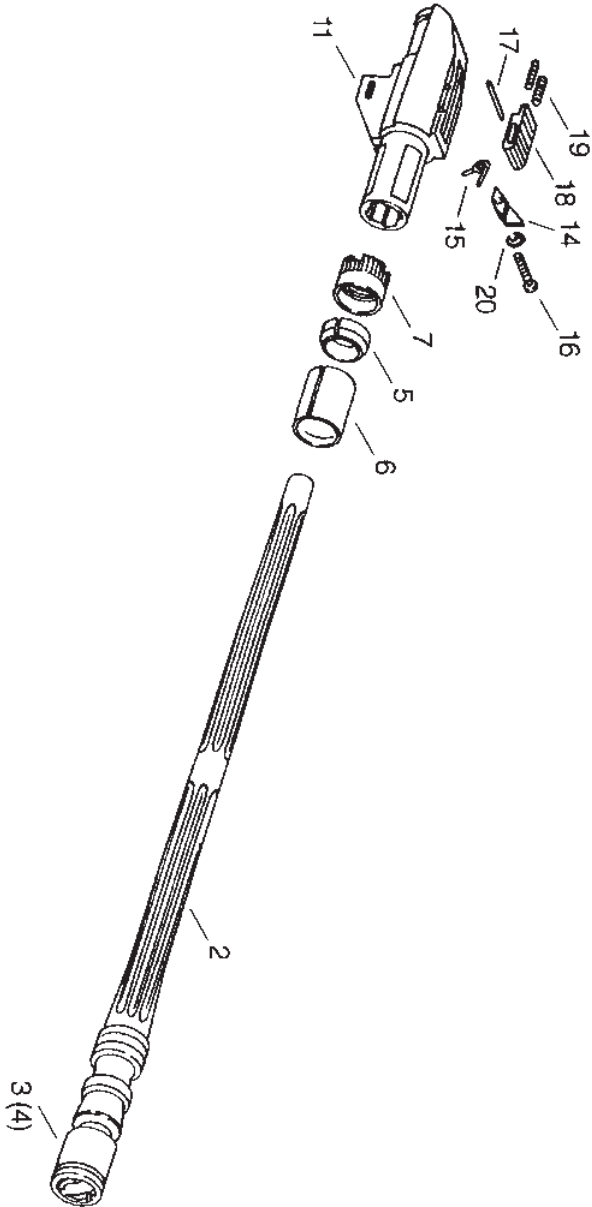
27 Parts List / Diagrams

BARREL GROUP

Art.Nr.	Part Number	Nomenclature
2*	State Caliber	Barrel - State Caliber
3*	1 2614010002	Barrel Locking Bushing
(4*)	1 2600020001	Safety Bushing (not shown)
5*	1 2614010003	Inner Ring
6*	1 2614010004	Outer Ring
7*	1 2614010005	Locking Nut
11*	1 2614020012	Barrel Extension Housing
14	1 2614020013	Front sight
15	1 2614020014	Spring
16	1 2614020015	Sight Adjusting Screw
17	1 2614020016	Pin
18	1 2614020017	Sight Release Slide
19	1 4001020056	Slide Spring
20	190003936606	Thrust Washer

*parts to be installed by Steyr Mannlicher AG & Co KG or authorized Steyr Mannlicher gunsmith only!

BARREL GROUP



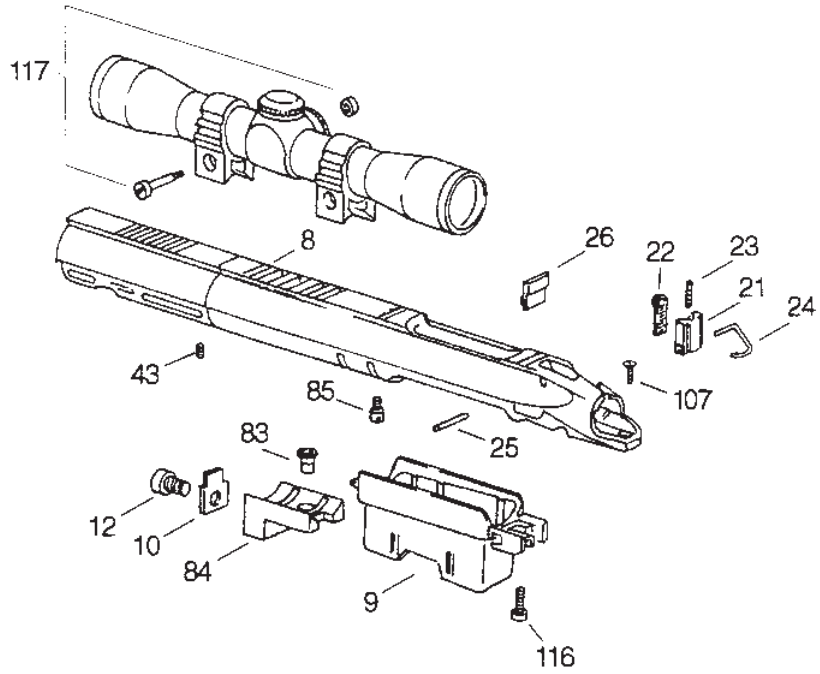
RECEIVER GROUP

Art.Nr.	Part Number	Nomenclature
8**	1 2614020401	Receiver
9*	1 2614020002	Magazine Well
10*	1 2614020010	Retaining Plate
12*	190003860137	Retaining Plate Screw
21	1 2614020018	Rear Sight Base
22	1 2614020019	Rear Sight
23	1 2614020020	Rear Sight Screw
24	1 2614020021	Spring
25	1 2614020022	Pin
26	1 2614020023	Cover
43*	190003900401	Set Screw
83*	1 2614020005	Threaded Bushing
84*	1 2614020004	Bedding Block
85*	190003900432	Set Screw
107*	190003862074	Countersunk Head Screw
116*	190003860301	Pivot Screw
117*	1 2614070501	Scope Mount Complete (optic not included)

* parts to be installed by Steyr Mannlicher AG & Co KG or authorized Steyr Mannlicher gunsmith only!

** not for sale

RECEIVER GROUP

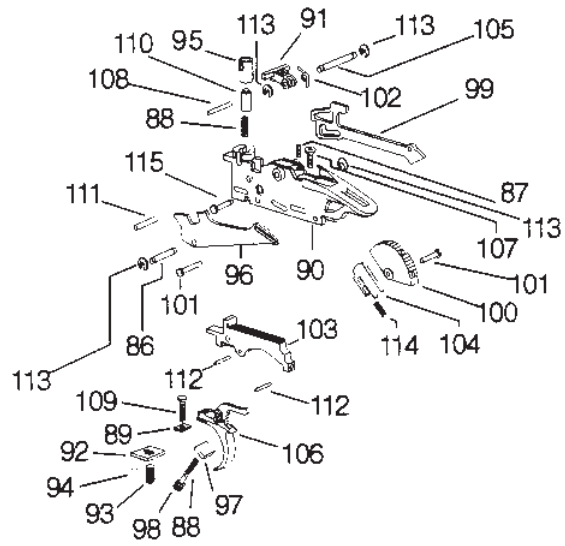


TRIGGER GROUP

Art.Nr.	Part Number	Nomenclature
27*	1 2614030501	Trigger Group
86*	1 22 030021	Pivot Pin
87*	1 2600030015	Pressure Spring
88*	1 22 070015	Spring
89*	1 2500030006	Screw Retention
90*	1 2613030003	Trigger Housing
91*	1 2613030012	Sear
92*	1 2600030034	Support Plate
93*	190003900202	Set Screw
94*	1 2600030035	Screw Retention
95*	1 2614030022	Retaining Bolt
96*	1 2600030007	Safety
97*	1 2600030009	Spring Support
98*	1 2600030010	Adjusting Screw
99*	1 2600030012	Slide
100*	1 2600030513	Safety Roller Complete
101*	1 2600030014	Pivot Pin
102*	1 2600030016	Sear Spring
103*	1 2614030018	Sear Lever
104*	1 2600030024	Lock Piece
105*	1 2600030027	Pivot Pin
106*	1 2600030008	Trigger
107*	190003862074	Countersunk Head Screw
108*	190003900052	Parallel Pin
109*	1 2600030031	Adjusting Screw
110*	1 2600030020	Sleeve
111*	190003900332	Parallel Pin
112*	1 2600030017	Pin
113*	190003936606	Thrust Washer
114*	1 2600030028	Pressure Spring
115*	1 2600030011	Pin

*parts to be installed by Steyr Mannlicher AG & Co KG or authorized Steyr Mannlicher gunsmith only!

TRIGGER GROUP

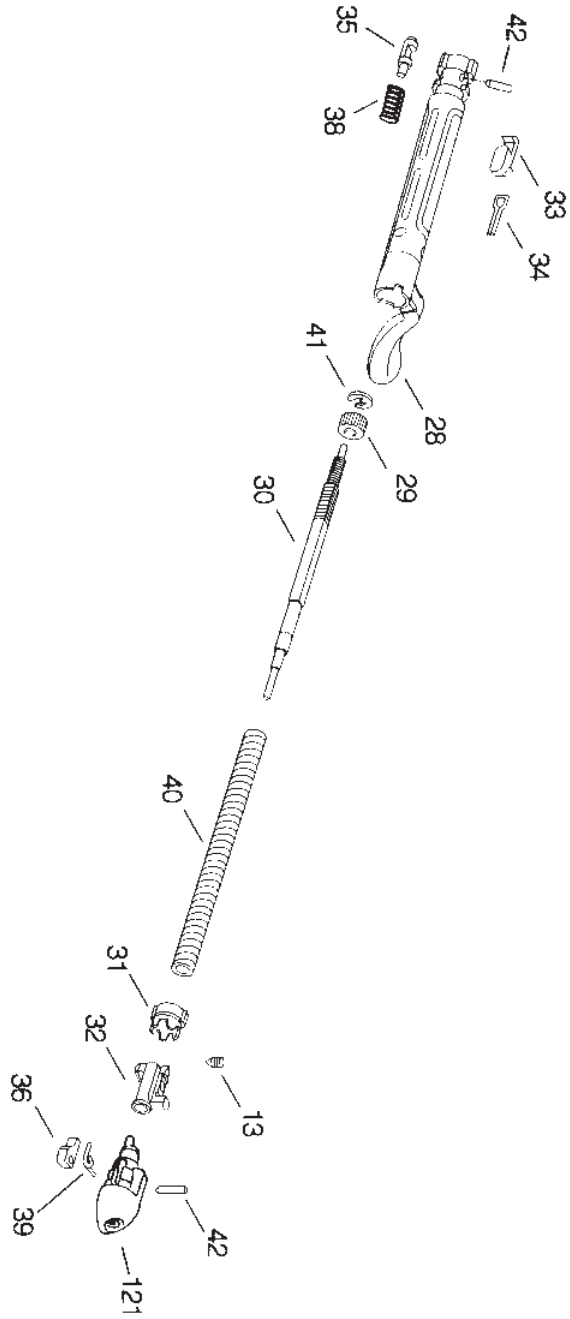


BOLT GROUP

Art.Nr.	Part Number	Nomenclature
13*	190003900059	Set Screw
28*	1 2614040405	Bolt Body
29*	1 2614040005	Adjusting Nut
30*	1 2614040004	Firing Pin
31*	1 2600040011	Cam Sleeve
32*	1 2600040005	Firing Pin Lug
33	1 2600040007	Extractor
34	1 2600040008	Extractor Spring
35	1 2602040009	Ejector
36*	1 2600040010	Ratchet Lever
38	1 2600040012	Ejector Spring
39*	1 2600040013	Ratchet Lever Spring
40*	1 22 040009	Firing Pin Spring
41*	190003936613	Thrust Washer
42	190003990099	Pin
121*	1 2614040003	Bolt Cap

*parts to be installed by Steyr Mannlicher AG & Co KG or authorized Steyr Mannlicher gunsmith only!

BOLT GROUP

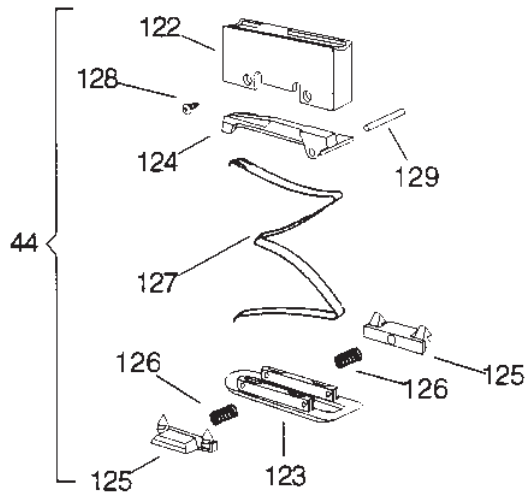


MAGAZINE GROUP

Art.Nr.	Part Number	Nomenclature
44	1 2614050634	Magazine Complete
122*	1 2614050004	Magazine Body
123*	1 2607050001	Magazine Floorplate
124*	1 2613050005	Magazine Follower
125*	1 2600050006	Magazine Catch
126*	1 22 070015	Spring
127*	1 2600050001	Magazine Spring
128*	190003820152	Screw
129*	190003900397	Pin

*parts to be installed by Steyr Mannlicher AG & Co KG or authorized Steyr Mannlicher gunsmith only!

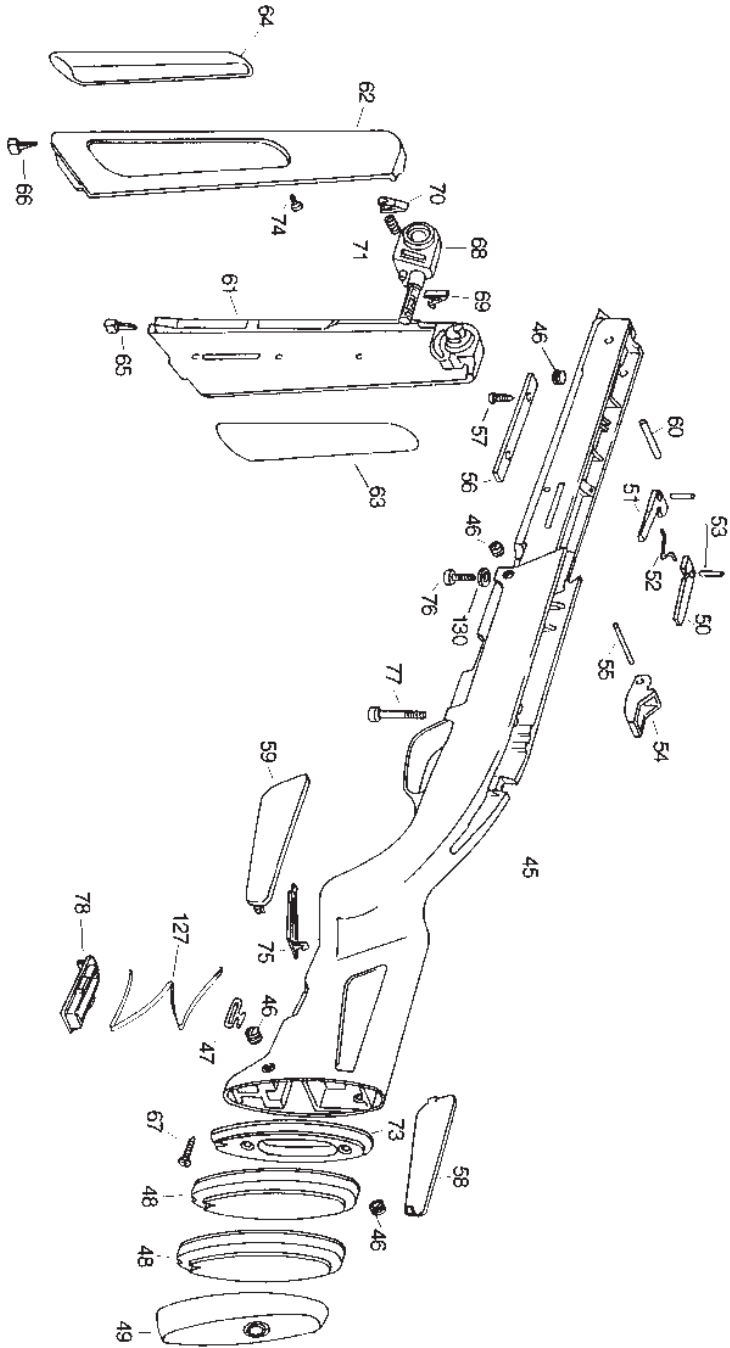
MAGAZINE GROUP



STOCK GROUP

Art.Nr.	Part Number	Nomenclature
45	1 2614060401	Stock Body
46	190003990409	Swivel Holder
47	190003990410	Swivel Body
48	1 2614060007	Spacer
49	1 2614060008	Butt Plate
50	1 2614060009	Right Lever Retainer
51	1 2614060010	Left Lever Retainer
52	1 2614060011	Spring
53	1 2614060012	Pin
54	1 2614060013	Lever Actuator
55	1 2614060014	Pin
56	1 2614060015	Rail
57	190003860064	Rail Screw
58	1 2614060016	Right Stock Insert, Black
59	1 2614060017	Left Stock Insert, Black
60	1 2614060018	Pin
61	1 2614060402	Right Bipod Body
62	1 2614060403	Left Bipod Body
63	1 2614060019	Right Grip Rail
64	1 2614060020	Left Grip Rail
65	1 2614060023	Right Bipod Base
66	1 2614060024	Left Bipod Base
67	190003820153	Screw
68	1 2614060004	Bipod Swivel Body
69	1 2614060021	Right Spring Clip
70	1 2614060022	Left Spring Clip
71	1 22 070015	Spring
73	1 2614060027	Butt Stock Cover
74	190003820154	Screw
75	1 2614060029	Accessory Well Cover
76	190003860309	Front Action Screw
77	190003860310	Rear Action Screw
78	1 2614060405	Pressure Plate
127	1 2600050001	Pressure Plate Spring
130	190003930001	Washer

STOCK GROUP



Notes

Notes

Notes



Manufactured by Steyr Mannlicher AG & Co KG
Postfach 1000, A-4400 Steyr, Austria
Telephone 07252/896-0 • Fax 07252/7862
Telephone From U.S. 011-43-7252-8960
Fax From U.S. 011-43-7252-78621

GSI

U.S. IMPORTER

GSI Incorporated, 108 Morrow Ave.,
P.O. Box 129, Trussville, Al 35173.
Telephone (205) 655-8299
Fax (205) 655-7078
E-Mail SteyrSBS@aol.com