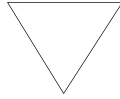


OPERATING INSTRUCTIONS FOR MINI MAG FURNACE

(2800200)-Furnace Only, (110V),
(2800220)-Furnace Only (220V)



***WARNING! See Safety
Instructions Page 57***

CAUTIONS:

- Never allow moisture near molten lead as when introduced to lead, a volatile steam explosion occurs and molten lead is sprayed not only out over immediate area but also all over the bullet caster. This moisture could be introduced by a wet ladle or dipper, wet lead added to the pot, condensation from overhead pipes or many other ways.
- In no case attempt to touch the furnace while in operation as all surfaces are extremely hot.
- Always make sure unit is plugged into a properly grounded outlet.
- Never use the heating element as a handle to move the furnace as damage to the element may result as well as serious injury may be suffered by the user.
- No casting should be done without the basic safety wear. This includes long pants, long sleeve shirt, heat resistant gloves, eye protection and closed top shoes.
- Keep all flammable items away from casting area and do not operate unit on flammable materials such as paper, wood or carpeting.
- Casting should be done in a well ventilated area. Avoid breathing fumes or dust that come from the furnace.
- Keep children away from casting and reloading areas.
- Do not continue to cast if you are distracted.
- Do not smoke, eat, or drink while handling lead or casting.
- Do not run dry without lead. (except initial warm-up period)
- Always wash hands after handling lead.
- Use caution when adding bullet metal to furnace or pot containing molten metal to avoid splashing.

Set-up Instructions

Before using your Mini Mag Furnace, position the metal stand on a solid, non-flammable surface in a well ventilated area. In use, the melting pot will reach temperatures of over 700° F. Make sure there is nothing near the furnace which may be ignited by high temperatures. Be certain to always use the metal stand that is provided with your furnace.

Place the furnace in the metal stand and plug in the electrical cord into a properly grounded wall outlet. Before adding lead alloy for the first time, we suggest that the furnace be allowed to heat up for ten to fifteen minutes empty. This will burn off the preservatives used to prevent rust. Bullet metal can be added at this time and will take approximately 1/2 hour to reach proper casting temperature. Your furnace will hold 8 lbs. of lead alloy.

OPERATING YOUR FURNACE:

NOTE: READ THE ABOVE CAUTIONS PRIOR TO OPERATION

The Mini Mag furnace is designed to hold the temperature of lead alloy to a proper level throughout a casting session.

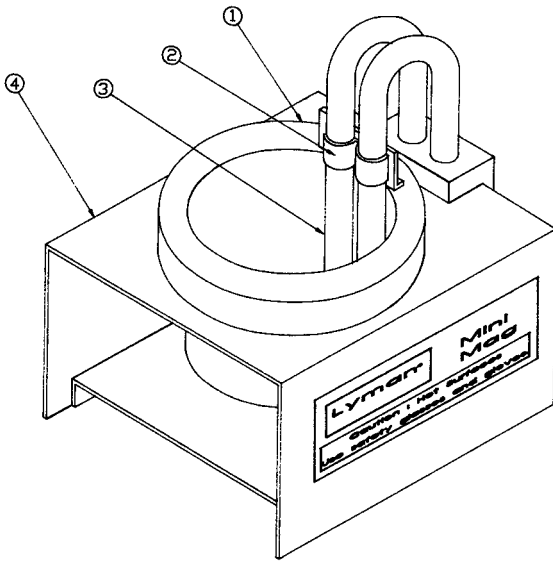
The Mini Mag Furnace is designed for dipper casting. For best results, fill the dipper with lead alloy and place the spout of the dipper against the pouring hole in the mould's sprue plate. Holding the mould and the dipper together, slowly turn them to a vertical position with the dipper above the mould.

Mini Mag (continued)

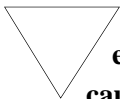
WARNING:Melting lead and casting lead objects will expose you and others in the area to lead, which is known to cause birth defects, other reproductive harm and cause cancer.

REDUCING EXPOSURE: Lead contamination in the air, in dust, and on your skin is invisible. Keep children and pregnant women away during use and until cleanup is complete.

Risk can be reduced but not eliminated with strong ventilation, washing hands immediately after use of these products before eating, drinking or smoking, and careful cleaning of surfaces and floors with disposable wipes, after lead dust had had a chance to settle. Use a lead specific cleaner with EDTA, or a high-phosphate detergent (like most detergents sold for electric dishwashers) and bag used wipes for disposal.



Key	Part Description	Part #
1	Melting Pot	2990639
2	Element Clip	2800204
3	Heating Element/ Cord Assembly 110V	2800203
	Heating Element/ Cord Assembly 220V	2800217
4	Shroud Base	2800212



WARNING: Melting lead and casting lead objects will expose you and others in the area to lead, which is known to cause birth defects, other reproductive harm and cancer.