

#55 CLASSIC BLACK POWDER MEASURE

The #55 Classic Black Powder Measure has been designed to safely throw charges of either black powder, Pyrodex, or smokeless powder. The measure is equipped with an aluminum powder reservoir and a metering cylinder enclosed in a brass housing. This eliminates the possibility of sparks and static electricity. The #55 Classic is equipped with a powder baffle for accurate, consistent charges. Certain models include an additional 24" long drop tube, which provides up to 7% greater black powder compression. If your #55 Classic model does not include drop tubes, they may be purchased from Lyman as an optional accessory (part no. 7767764).

Note: Please read the previous section on the #55 Powder Measure for set up instructions. The #55 Classic functions the same as the standard #55 Powder Measure and the same instructions will apply. Additional black powder information follows.

For Use With Black Powder or Pyrodex:

If charging rifle cases, it is recommended that the 24" two piece drop tube be used. Assemble the drop tube by threading the ends of the two tubes into the knurled connector. Then thread the 24" assembled tube onto the large drop tube equipped with a lock ring and install the assembly into the bottom of the measure. Cases will be charged by holding them against the bottom of the drop tube and working the measure. The bottom of the drop tube is equipped with a tapered funnel, which will accept cases from 38 cal. up to 50 cal.

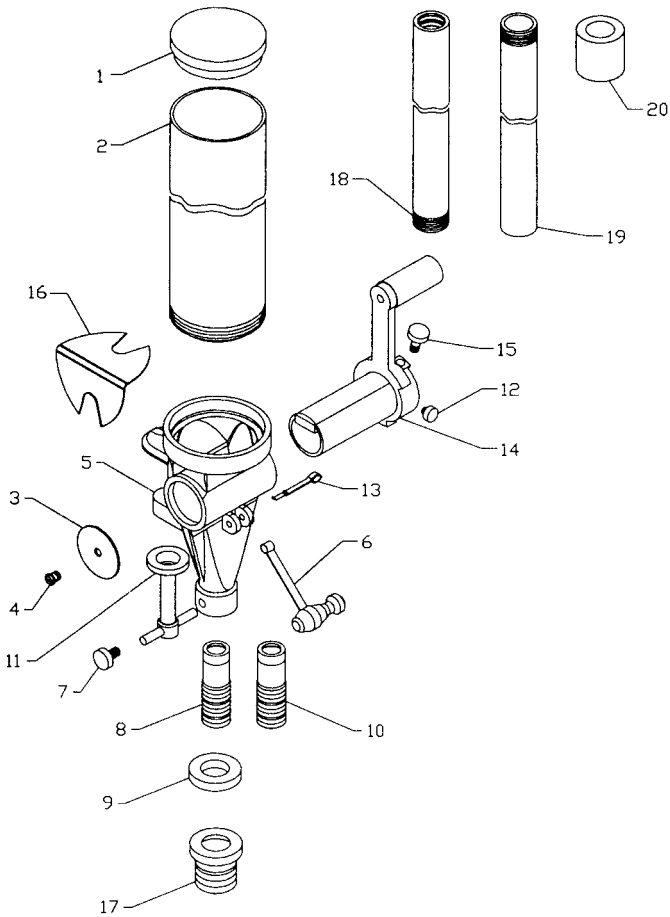
For best results, use the built-in clamp on the back of the measure to lock it into a shelf at a convenient height. You will want to find a height that will allow you to easily work the measure, while also holding a case against the bottom of the drop tube.

For most black powder rifle cases, you will need to use the top, middle, and bottom slides together.

CAUTION: Black powder residue will be found on the powder measure body and metering cylinder after use. This residue can cause rust to form on the cast iron powder measure body, particularly in humid conditions. Lyman recommends that the metering cylinder be removed from the empty powder measure (this is done by removing the slide end plate screw and pulling the metering cylinder out of the body--see parts breakdown) and that the inside of the powder measure body and outside of the metering cylinder be cleaned. They should be wiped off with a damp cloth and dried with a clean cloth. Do not oil the parts. Cleaning should be done after several uses or before storage.

**Visit our complete Lyman website at
www.lymanproducts.com**

THE #55 CLASSIC BLACK POWDER MEASURE



Key	Part Description	Part #
1	Reservoir Cap	7990261
2	Reservoir	7990262
3	Slide End Plate	7990291
4	Slide End Plate Screw	7990293
5	Powder Measure Body	7990256*
6	Knocker Assembly	7990267
7	Drop Tube Lock Screw	2990744
8	Large Drop Tube	7837797
9	Lock Ring	7990265
10	Small Drop Tube	7837796
11	Bench Clamp	7990268
12	Locking Screw, Micro Body	7990290
13	Knocker Cotter Pin	7990275

Key	Part Description	Part #
14	Metering Cylinder Assembly*	7990274
15	Locking Screw, Micro Slide	7990767
16	Black Powder Baffle	7767758
17	7/8" x 14 Adapter	7392036
18	Powder Measure Drop Tube (Upper)***	7990264
19	Powder Measure Drop Tube (Bottom)***	7990257
20	Tube Coupler***	7990259

*Factory assembled & fitted

**Optional Item

***Complete Drop Tube Assembly 7767764

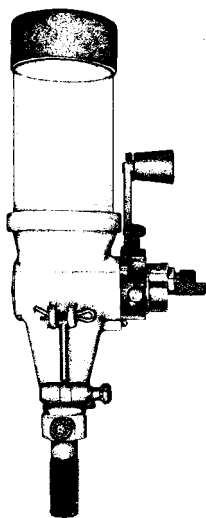
THE #55 POWDER MEASURE

Clean the Measure

After unpacking the #55 measure the entire unit should be thoroughly cleaned with a solvent (such as alcohol) to remove any oil or preservative that might lead to charging errors.

Setting the Measure

Always make sure the #55 measure is clean and free from any loose powder grains before attempting to use it. If the slides cannot be pushed in to register zero when the unit is empty, the slides and cavity should be cleaned. The zero line should be even with the right hand edge of the brass sleeve and all settings of the measure should be made with reference to this point. Verify all settings on a scale. Never charge cases without scale verification.



Optional Installation Method for Powder Measure

Many reloaders prefer to mount the #55 measure on their bench top or a simple stand by using the clamping device on the back of the measure. This prevents spilled powder from dirtying the press, and keeps powder charging operations from the other reloading steps.

Turret Installation

Lyman's #55 measure may be mounted on a powder measure stand or the press's top by first screwing the 7/8" x 14 adapter bushing (Key 17) in the threaded die station. The #55 measure comes with two drop tubes, one with a smaller hole for case mouths under .270 Win diameter, the other for larger diameter case mouths. Attach the included locking ring (Key 9) to the appropriate drop tube and screw it into the adapter bushing. Place a case into the shell-holder and raise the ram to its highest position. Lower the drop tube until it comes into contact with the case. Tighten the set screw in the lock ring (Key 9) to keep from loosening. Mount the powder measure to the drop tube tightening with the lock screw (Key 7).

Examine the Slides

The #55 measure has three slides for adjusting the powder charge cavity. The top slide is graduated on both edges. The graduations at the front apply to this slide when used alone, while those at the rear apply to the top and middle slide when used together. The bottom slide is graduated on the underside. These lower marks should be regarded only as reference points for using the entire cylinder with slides 1, 2 and 3 together.

Setting the Charges

Proper adjustment is achieved by trial and error with verifying each setting with a scale. For best results, we suggest the slides be used as follows:

- Top slide only for light pistol use.
- Top two slides for rifles.
- All three slides for heavy rifle

55 Powder Measure (continued)

Adjusting Top Slide

For light pistol loads, loosen the large diameter knurled locking screw (Key 15). Turn the top knurled adjusting screw counterclockwise to form an opening within the metering cylinder assembly. Be sure to tighten the locking screw (Key 15) to maintain the selected setting. Lift and drop the knocker assembly (Key 6) to uniformly fill the metering assembly. Rotate the handle and drop the charge into a scale pan and verify the weight on a scale. Adjust the slide accordingly to achieve the desired charge. Always verify with a scale after any adjustments are made.

Adjusting Top and Middle Slides

For heavy pistol and rifle loads, both the top and middle slides should be used. These should be adjusted together to achieve proper uniformity. To do this, first close the slides completely and loosen the top knurled locking screw (Key 15). Turn the lower knurled adjusting screw counterclockwise to form an opening within the metering assembly. By adjusting the lower screw, both the top and middle slides will move simultaneously. Tighten the lock screw (Key 15) to maintain the selected setting. Lift and drop the knocker assembly (Key 6) to uniformly fill the opening in the metering assembly. Rotate the handle and drop the charge into a scale pan and verify the weight on a scale. Adjust the slides accordingly to achieve the desired charge. Always verify with a scale after any adjustments are made.

Adjusting Top, Middle and Bottom Slides

For heavy rifle charges, it may be necessary to use all three slides. First, close the slides completely and be sure they are even with each other. Loosen both locking screws (Keys 12 and 15) and pull out the three slides together. Retighten the locking screws to maintain the selected setting. Lift and drop the knocker assembly (Key 6) to uniformly fill the metering assembly. Rotate the handle and drop the charge into a scale pan and verify the weight on the scale. Adjust the slides accordingly to achieve the desired charge. Always verify with a scale after any adjustments are made.

Charging the Shell

When the powder measure has been adjusted, flip the knocker several times to settle the powder in the reservoir. Place a cartridge case in contact with the drop tube, raise the measure handle against its stop without jarring the measure unnecessarily and return the handle to its downward position. Flip the knocker so all of the charge will be jarred down into the case.

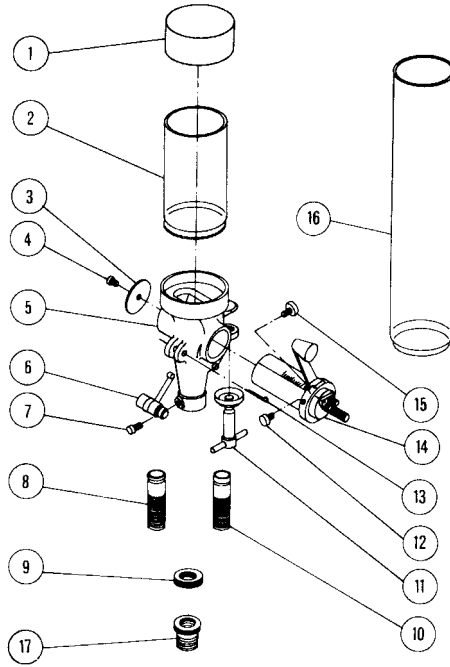
Notes on Powder Measure Usage

All powder measures are of a basic design and the operator must acquire the knack of using one for best results. As you may notice, fine-grained powders will measure easily and accurately and it is the coarse-grained ones that usually give the most trouble because the coarse grains will be caught between the edge of the rotor (or cylinder) and the body of the measure, causing considerable resistance as the granules are cut.

Remember - all movements must be uniform-with the knocker operated the same number of times-when throwing each charge. Do not tighten the clamp screw too much because it can distort the frame and cause the cylinder to bind. Always keep the handle in the down position except when throwing a powder charge.

* Do not use with black powder due to static electricity.

THE #55 POWDER MEASURE



Key	Part Description	Part #	Key	Part Description	Part #
1	Reservoir Cap	7990294	14	Metering Cylinder Assembly*	7990274
2	Reservoir	7998298	15	Locking Screw, Micro Slide	7990767
3	Slide End Plate	7990291	16	Reservoir Tube 7000 gr.**	7998299
4	Slide End Plate Screw	7990293	17	7/8" x 14 Adapter	7392036
5	Powder Measure Body*	7990272			
6	Knocker Assembly	7990267			
7	Drop Tube Lock Screw	2990744			
8	Large Drop Tube	7837797			
9	Lock Ring	7990265			
10	Small Drop Tube	7837796			
11	Bench Clamp	7990268			
12	Locking Screw, Micro Body	7990290			
13	Knocker Cotter Pin	7990275			

*Factory assembled & fitted

**Optional Item

Please Note: Some parts are not interchangeable with the #55 Classic Black Powder Measure. Do not attempt to convert to black powder usage.